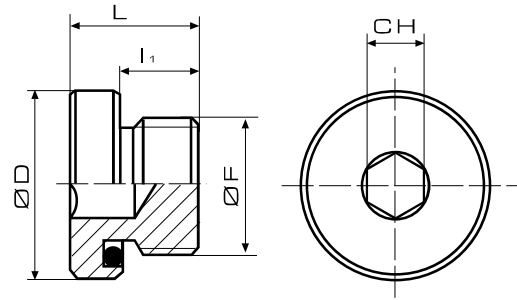


TTCE - CYLINDRICAL STEEL PLUGS WITH INTERNAL HEX AND NBR SEAL



- Material: Steel 11SMnPb37
- NBR 90 Shore durometer seal
- Working temperature: **-20°C +100°C/-4 °F +212 °F**
- Max working pressure: data available on enquiry.

Code	ØF	l1	L	ØD	CH
TTCE-18	G 1/8"	9	13	15	4
TTCE-14	G 1/4"	11	16	19	6
TTCE-38	G 3/8"	11	17	22	6
TTCE-12	G 1/2"	14	20	27	8
TTCE-34	G 3/4"	14	20	32	12
TTCE-1	G 1"	16	22	40	12
TTCE-114 (only on request)	G 1 1/4"	18	25	50	12
TTCE-112 (only on request)	G 1 1/2"	17	24	55	24
TTCE-10.1	M 10x1	8	12	15	5
TTCE-12.15	M 12x1,5	10	16	17	6
TTCE-14.15	M 14x1,5	10	16	19	6
TTCE-16.15	M 16x1,5	10	16	22	6
TTCE-18.15	M 18x1,5	11	17	25	6
TTCE-20.15	M 20x1,5	12	18	27	8
TTCE-22.15	M 22x1,5	12	18	28	8
TTCE-26.15 (only on request)	M 26x1,5	13,5	20	32	12
TTCE-27.2 (only on request)	M 27x2	13,5	20	32	12
TTCE-33.2 (only on request)	M 33x2	15	21	40	17
TTCE-42.2 (only on request)	M 42x2	17	24	50	22
TTCE-48.2 (only on request)	M48x2	17	24	55	24