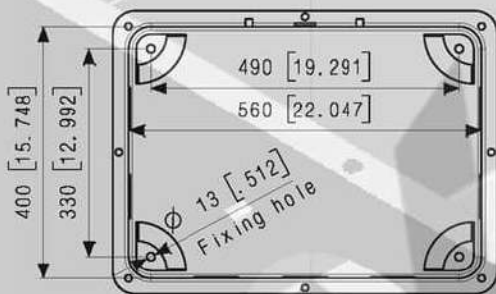
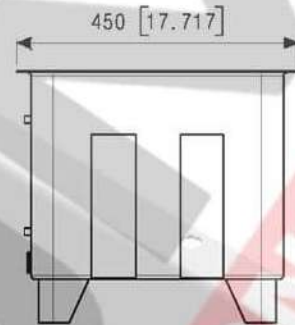
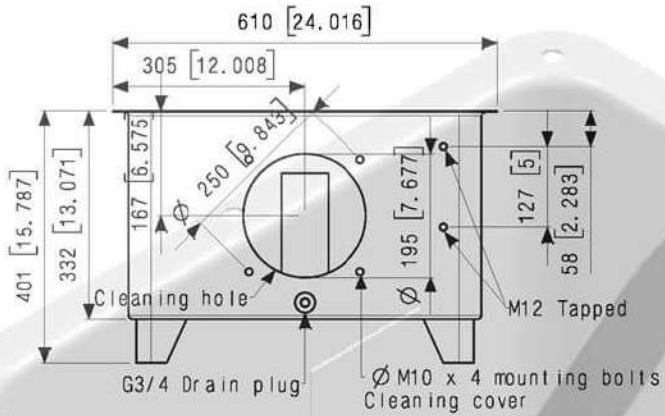


# Steel Tanks for Hydraulic Power Units

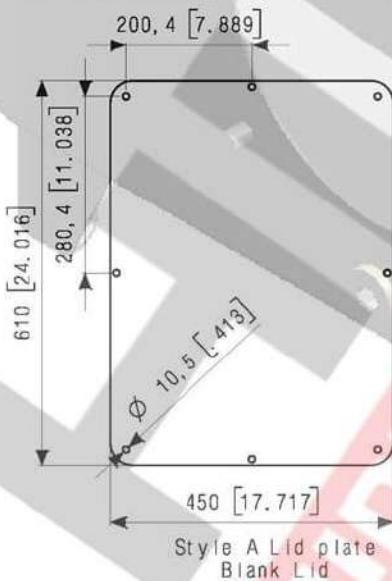
## 70 Liter Type A Dimensional Data

### Weldless Steel Tank 70 Liter Type A (18,5 Gallon)

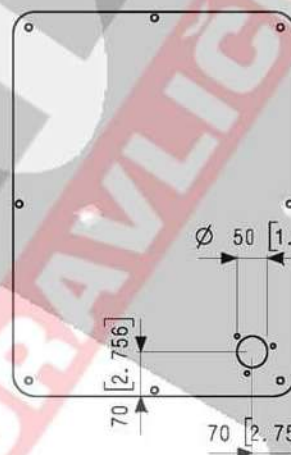
mm [ in ]



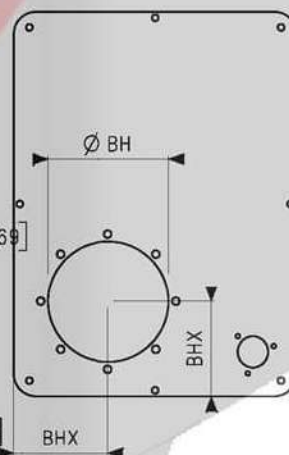
### Lid 70 Liter (18,5 Gallon)



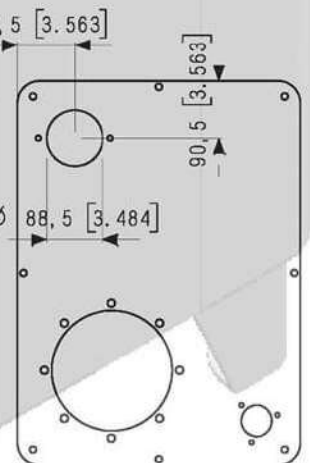
Style A Lid plate  
Blank Lid



Style B Lid plate  
with  
Filler Breather (FB)  
cutout Lid



Style C Lid plate  
with  
Filler Breather (FB) and  
Bellhousing (BH)  
cutout Lid



Style D Lid plate  
with  
Filler Breather (FB),  
Bellhousing (BH) and  
Return Filter (RF)  
cutout Lid