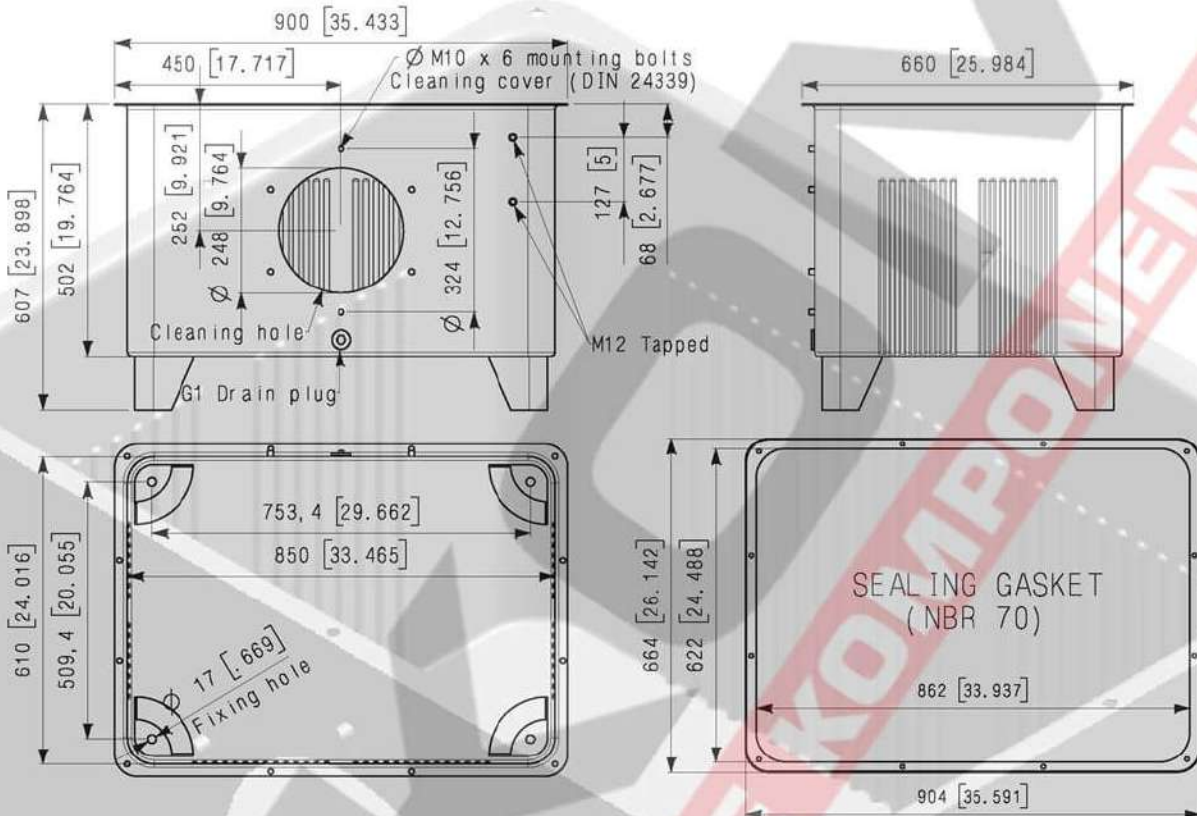


Steel Tanks for Hydraulic Power Units

250 Liter Type A Dimensional Data

Weldless Steel Tank 250 Liter Type A (66,0 Gallon)

mm [in]



Lid 250 Liter (66,0 Gallon)

