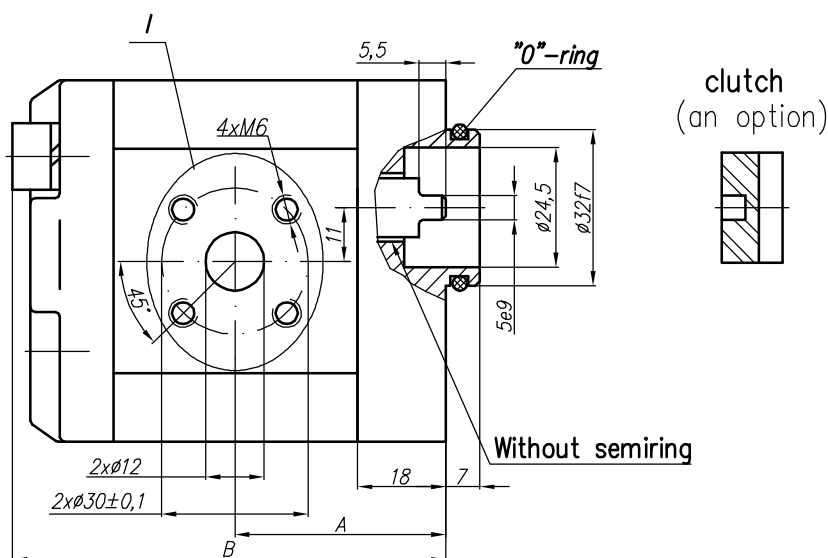
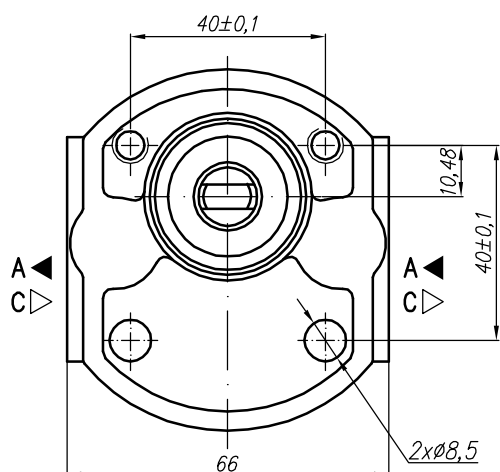


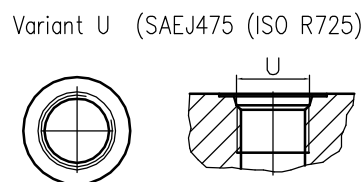
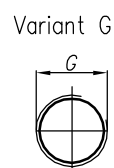
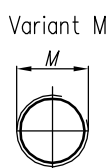
The pump 10A(C)...X479 is a second section of a multiple pump Gr.21.



**Variants:**

- ...X479 - Normal version (flange);
- ...X479M - for M ports (see the picture I and the table below);
- ...X479G - for G ports (see the picture I and the table below);
- ...X479U - for U ports (see the picture I and the table below).

I - variants



| Type             | Displacement<br>cm <sup>3</sup> /rev | Flow                 |                     | Pressure<br>P <sub>nom</sub><br>bar | max Speed<br>n<br>rpm | Dimension |         |         |            |                   |         |            |                    |  |
|------------------|--------------------------------------|----------------------|---------------------|-------------------------------------|-----------------------|-----------|---------|---------|------------|-------------------|---------|------------|--------------------|--|
|                  |                                      | at 1500 rpm<br>l/min | at max rpm<br>l/min |                                     |                       | A<br>mm   | B<br>mm | Inlet   |            |                   | Outlet  |            |                    |  |
|                  |                                      |                      |                     |                                     |                       |           |         | M       | G          | U                 | M       | G          | U                  |  |
| 10A(C)1X479      | 1                                    | 1,40                 | 3,26                | 250                                 | 3500                  | 39,1      | 81      | M16x1,5 | G 3/8" - A | 3/4" - 16UNF - 2B | M16x1,5 | G 3/8" - A | 9/16" - 18UNF - 2B |  |
| 10A(C)1,25X479   | 1,25                                 | 1,74                 | 4,07                | 250                                 | 3500                  | 39,5      | 82      |         |            |                   |         |            |                    |  |
| 10A(C)1,6X479    | 1,6                                  | 2,23                 | 5,21                | 250                                 | 3500                  | 40,3      | 83,6    |         |            |                   |         |            |                    |  |
| 10A(C)2X479      | 2                                    | 2,82                 | 6,58                | 250                                 | 3500                  | 41,1      | 85,2    |         |            |                   |         |            |                    |  |
| 10A(C)2,5X479    | 2,5                                  | 3,53                 | 8,23                | 250                                 | 3500                  | 42,1      | 87,2    |         |            |                   |         |            |                    |  |
| * 10A(C)2,65X479 | 2,65                                 | 3,74                 | 8,72                | 250                                 | 3500                  | 42,4      | 87,8    | M20x1,5 | G 1/2" - A | 3/4" - 16UNF - 2B | M16x1,5 | G 3/8" - A | 9/16" - 18UNF - 2B |  |
| 10A(C)3,15X479   | 3,15                                 | 4,44                 | 10,36               | 250                                 | 3500                  | 43,5      | 89,8    |         |            |                   |         |            |                    |  |
| 10A(C)3,65X479   | 3,65                                 | 5,15                 | 12,01               | 250                                 | 3500                  | 44,4      | 91,9    | M22x1,5 | G 1/2" - A | 7/8" - 14UNF      | M18x1,5 | G 3/8" - A | 3/4" - 16UNF       |  |
| 10A(C)4,2X479    | 4,2                                  | 5,92                 | 13,82               | 250                                 | 3500                  | 45,5      | 94,1    |         |            |                   |         |            |                    |  |
| * 10A(C)4,7X479  | 4,7                                  | 6,63                 | 15,46               | 250                                 | 3500                  | 46,1      | 97,1    |         |            |                   |         |            |                    |  |
| 10A(C)5X479      | 5                                    | 7,05                 | 14,10               | 250                                 | 3000                  | 47,1      | 97,2    | M22x1,5 | G 1/2" - A | 7/8" - 14UNF      | M18x1,5 | G 3/8" - A | 3/4" - 16UNF       |  |
| 10A(C)5,7X479    | 5,7                                  | 8,12                 | 16,25               | 200                                 | 3000                  | 48,5      | 100,1   |         |            |                   |         |            |                    |  |
| 10A(C)6,1X479    | 6,1                                  | 8,69                 | 14,49               | 200                                 | 2500                  | 49,4      | 101,8   |         |            |                   |         |            |                    |  |
| 10A(C)7,4X479    | 7,4                                  | 10,55                | 17,58               | 180                                 | 2500                  | 52,1      | 107,2   | M22x1,5 | G 1/2" - A | 7/8" - 14UNF      | M18x1,5 | G 3/8" - A | 3/4" - 16UNF       |  |
| * 10A(C)8X479    | 8                                    | 11,40                | 15,20               | 150                                 | 2000                  | 53,4      | 109,7   |         |            |                   |         |            |                    |  |
| 10A(C)8,5X479    | 8,5                                  | 12,11                | 16,15               | 150                                 | 2000                  | 54,4      | 111,7   |         |            |                   |         |            |                    |  |
| 10A(C)9,8X479    | 9,8                                  | 13,97                | 18,62               | 120                                 | 2000                  | 57        | 117     |         |            |                   |         |            |                    |  |

\* - These pumps - only under a special order