

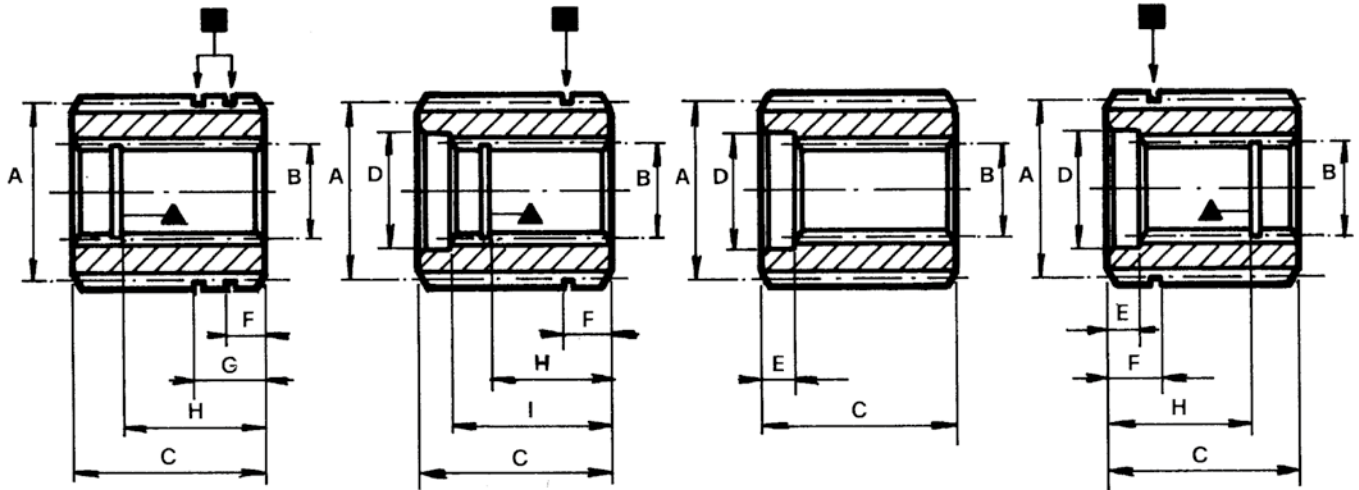


SERIE 35000 A NORME DIN 5482
SERIE 35500 A NORME SAE

SERIE 35000 A NORME DIN 5482
SERIE 35500 A NORME SAE

SERIES 35000 IN COMPLIANCE WITH DIN 5482 STANDARDS
SERIES 35500 IN COMPLIANCE WITH SAE STANDARDS

SERIE 35000 NACH DIN-NORM
SERIE 35500 NACH SAE-NORM



Gruppo Tipo Groupe Type Assembly type Gruppe, Type	N° Codice Code Code No. Codenummer	A		B		B		C	D	E	F	G	H	I	▲	■
		DIN 5482	N. denti Nb. dents No. of teeth Anz. Zähne	DIN 5482	N. denti Nb. dents No. of teeth Anz. Zähne	SAE	N. denti Nb. dents No. of teeth Anz. Zähne									
3 C	35001	35 × 31	18	25 × 22	14			26								
3,5 C	35002	40 × 36	20	30 × 27	16			43	30,5	5						
4 C	35003	48 × 44	23	25 × 22	14			40	25	5						
4 C	35004	48 × 44	23	30 × 27	16			43	30,5	5						
4 C	35005	48 × 44	23	35 × 31	18			44	35,5	2						
5 C	35006	58 × 53	27	30 × 27	16			43	30,5	5						
5 C	35007	58 × 53	27	35 × 31	18			46	35,5	4						
5 C	35008	58 × 53	27	40 × 36	20			52	40,5	5						
5 C	35009	58 × 53	27	45 × 41	22			62	34	6						
6 C	35010	72 × 66	33	40 × 36	20			52	40,5	5						
6 C	35011	72 × 66	33	45 × 41	22			62	45	6						
6 C	35012	72 × 66	33	50 × 45	24			68	50	7						

3 A	35501	35 × 31	18			16/32''DP	13	35			5					34
3 B	35502	35 × 31	18			16/32''DP	15	40	26		7		32	35	22	34
3,5 A	35503	40 × 36	20			16/32''DP	13	35			5					40
3,5 B	35504	40 × 36	20			16/32''DP	15	40	26		7		32	35	22	40
4 D	35505	48 × 44	23			16/32''DP	13	46	23	10	3,5		41,5		19	48
4 B	35506	48 × 44	23			16/32''DP	15	40	26		7		32	35	22	48
4 A	35507	48 × 44	23			16/32''DP	21	50			6	20	40		32	48
4 D	35508	48 × 44	23			12/24''DP	14	49	32,5	8	8	16	45,2		28	48
5 B	35509	58 × 53	27			16/32''DP	21	73	38		30		40	47	32	58
5 B	35510	58 × 53	27			16/32''DP	23	72	40		30		41	46	35	58
5 D	35511	58 × 53	27			12/24''DP	14	49	32,5	8	8		45,2		28	58