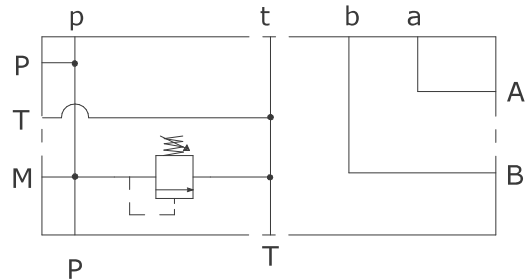


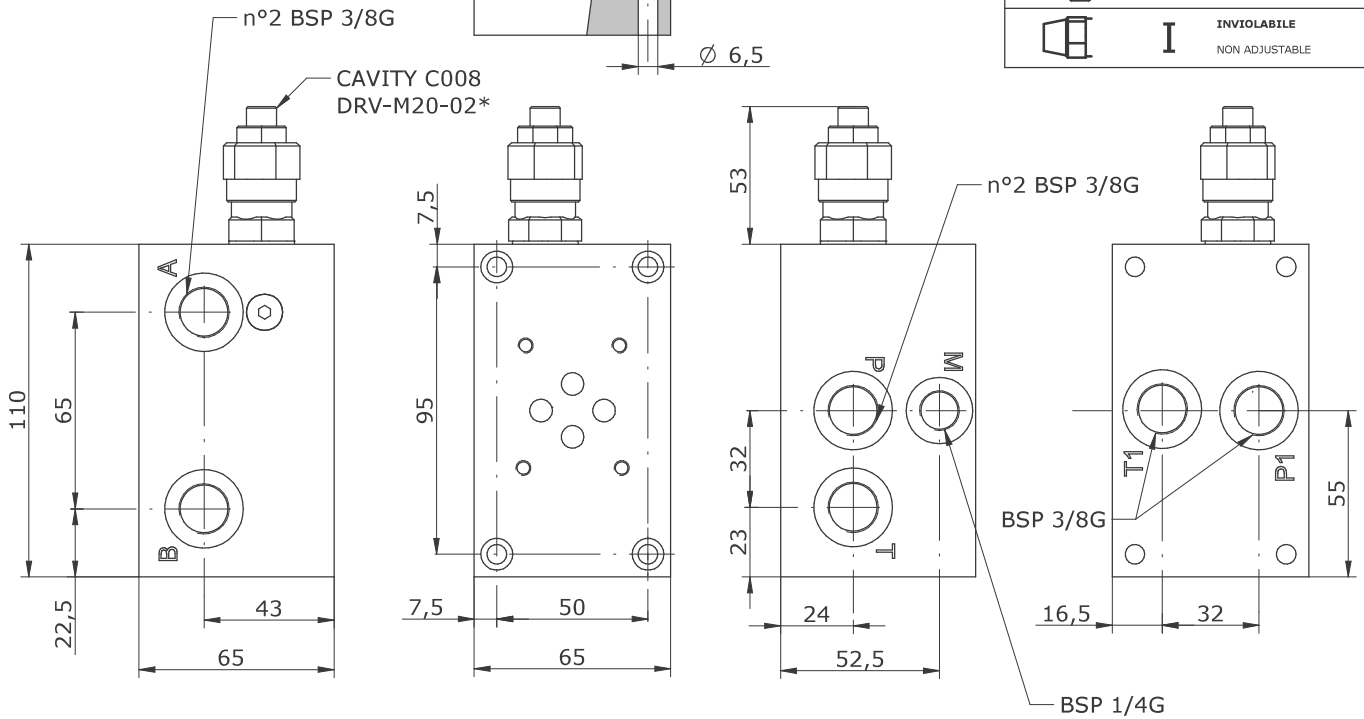
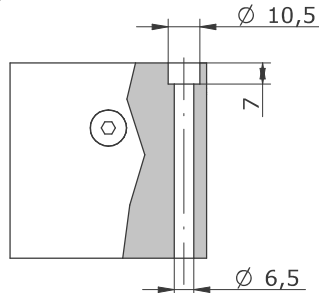
Schema idraulico  
Hydraulic diagram



**TIPI DI REGOLAZIONE**

REGULATION TYPE

|  |          |  |
|--|----------|--|
|  | <b>H</b> | <b>VITE CON CHIAVE ESAGONALE(standard)</b><br>HEXAGONAL HEAD SCREW |
|  | <b>K</b> | <b>POMOLO</b><br>KNOB  |
|  | <b>C</b> | <b>FISSA CON CAPPUCCIO</b><br>COVER CAP                            |
|  | <b>I</b> | <b>INVOLABILE</b><br>NON ADJUSTABLE                                |



**E\_06 - 10 - 38 - - - -**

**S** = STEEL  
**A** = ALUMINIUM

**0** = WITHOUT RELIEF VALVE (PLUGGED CAVITY)  
**1** = WITH RELIEF VALVE  
**2** = RELIEF VALVE READY

**0** = WITHOUT RELIEF VALVE  
**H** = HEXAGONAL HEAD SCREW  
**K** = KNOB  
**C** = COVER CAP  
**I** = NOT ADJUSTABLE

**0** = WITHOUT R.V.  
**1** = 5-55 bar  
**2** = 25-110 bar  
**3** = 50-215 bar  
**4** = 100-350 bar  
**5** = 100-420 bar

\*see **CARTRIDGE VALVES** datasheets

Via Nicolò Copernico 12/c-d  
29027 Casoli Di Gariga - Podenzano (PC) Italy

www.oleodinamica2mp.it  
Tel +39 0523 523231  
Fax +39 0523 524509